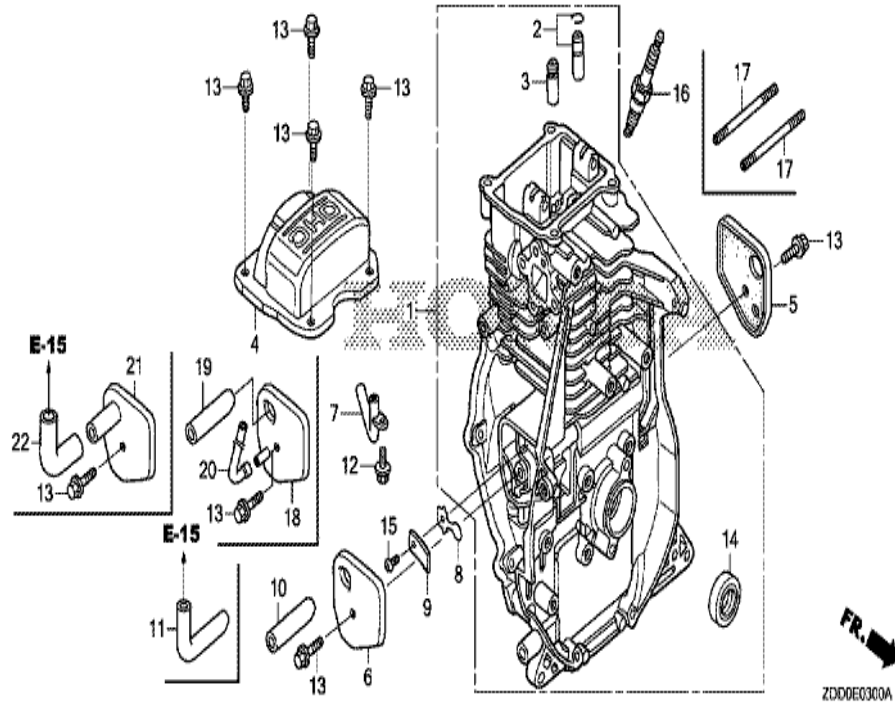


GX100RT

E-3 CYLINDER BARREL

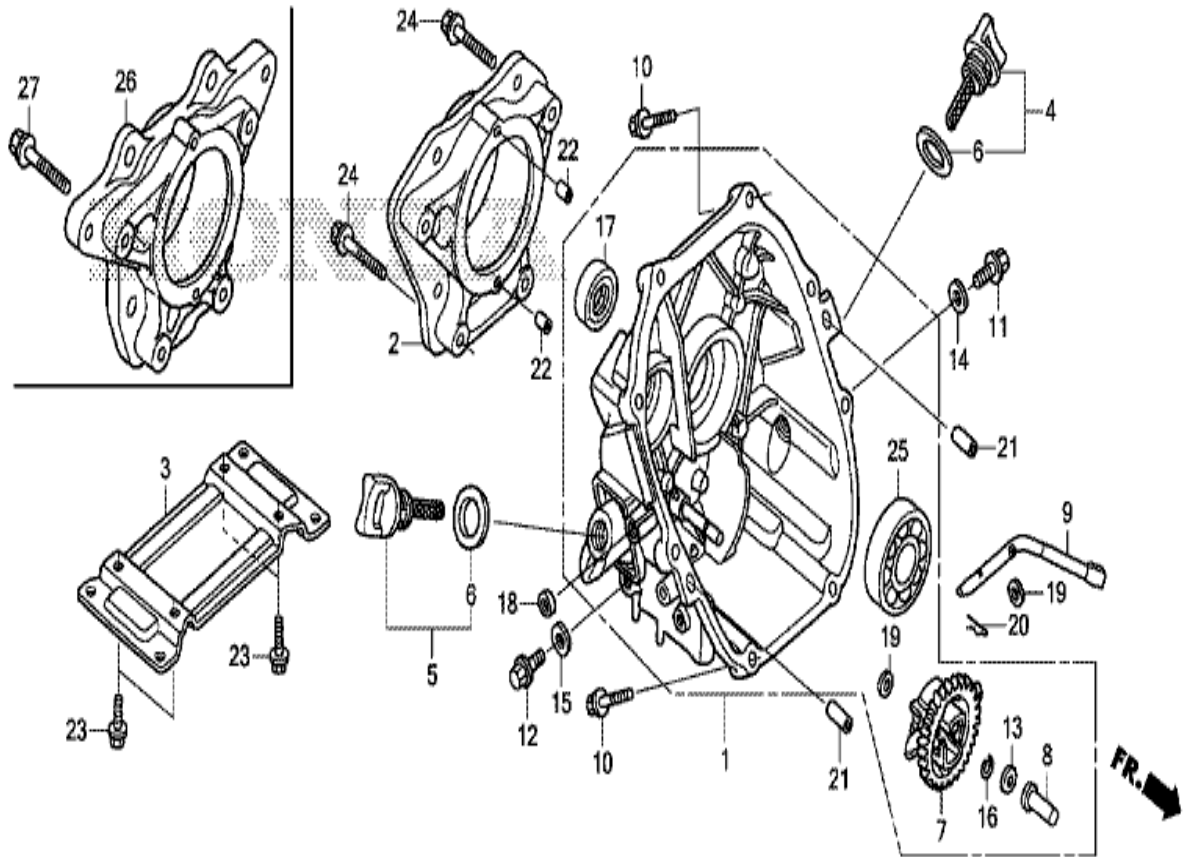


ZDD0E0300A

Refnr	Part Number	Description	from	to	Unit Qty	Order Qty	Repair Qty
1	12000-Z0D-405	BARREL ASSY., CYLINDER			001	0	0
2	12201-Z0D-305	GUIDE ASSY., EX. VALVE (O.S.)			001	0	0
3	12204-Z0D-305	GUIDE, IN. VALVE (O.S.)			001	0	0
4	12311-Z0D-000	COVER, HEAD			001	0	0
5	12355-Z0D-000	COVER COMP. A, BREATHER			001	0	0
6	12365-Z0D-000	COVER COMP. B, BREATHER			001	0	0
7	15171-Z0D-V00	PIPE, BREATHER			001	0	0
8	15571-Z0D-V71	VALVE, OIL OUTLET			001	0	0
9	15572-ZM7-000	PLATE, STOPPER			001	0	0
10	15721-Z4E-800	TUBE, BREATHER			001	0	0
12	90008-ZM7-000	BOLT, 4X10			001	0	0
13	90014-952-000	BOLT, FLANGE, 6X14 (CT200)			006	0	0
14	91202-KJ9-003	OIL SEAL, 20X32X6			001	0	0
15	93500-03005-0A	SCREW, PAN, 3X5			001	0	0
16	98056-55757	PLUG, SPARK (U16FSR-UB)			001	0	0
16	98056-55777	PLUG, SPARK (CR5HSB)			001	0	0

GX100RT

E-6 CRANKCASE COVER

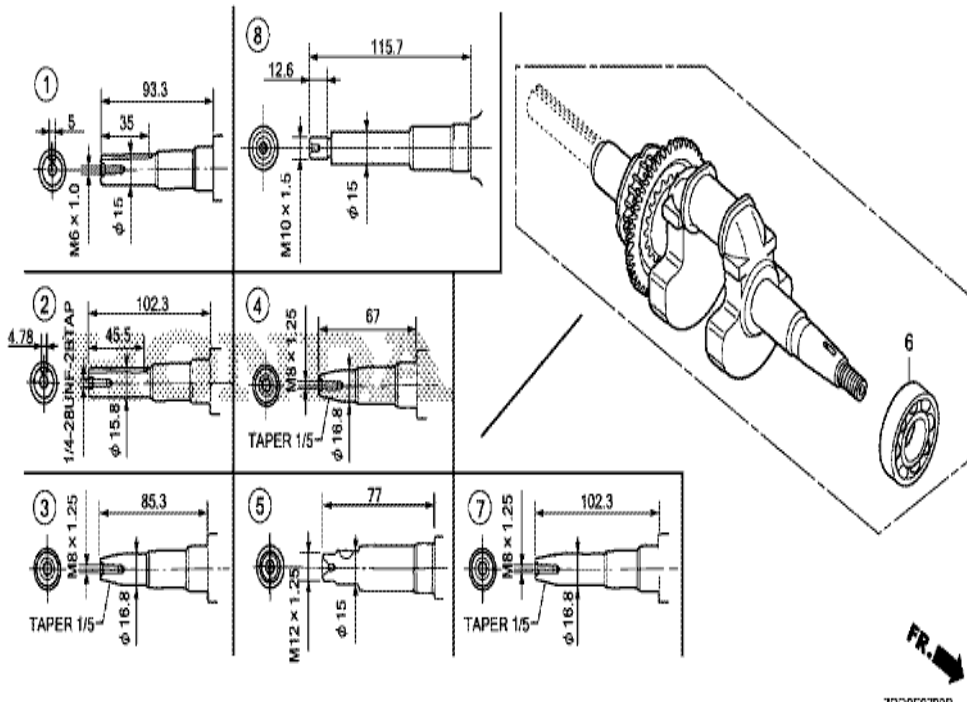


ZDDOE0600

Refnr	Part Number	Description	from	to	Unit Qty	Order Qty	Repair Qty
1	11300-Z0D-409	COVER ASSY., CRANKCASE			001	0	0
4	15600-ZDF-000	CAP ASSY., OIL FILLER			001	0	0
6	15625-Z0T-800	PACKING, OIL FILLER CAP			001	0	0
7	16510-ZL8-000	GOVERNOR ASSY.			001	0	0
8	16531-ZE1-000	SLIDER, GOVERNOR			001	0	0
9	16541-Z0D-000	SHAFT, GOVERNOR ARM			001	0	0
10	90121-952-000	BOLT, FLANGE, 6X25 (CT200)			008	0	0
11	90131-ZE1-000	BOLT, DRAIN PLUG			001	0	0
13	90451-ZE1-000	WASHER, THRUST, 6MM			001	0	0
14	90601-ZE1-000	WASHER, DRAIN PLUG, 10.2MM			001	0	0
16	90602-ZE1-000	CLIP, GOVERNOR HOLDER			001	0	0
17	91202-KJ9-003	OIL SEAL, 20X32X6			001	0	0
18	91231-891-003	OIL SEAL, 6X11X4 (ARAI)			001	0	0
19	94101-06800	WASHER, PLAIN, 6MM			002	0	0
20	94251-08000	PIN, LOCK, 8MM			001	0	0
21	94301-08200	DOWEL PIN, 8X20			002	0	0
22	94303-06100	DOWEL PIN, 6X10			002	0	0
25	96100-62040-00	BEARING, RADIAL BALL, 6204			001	0	0
26	11511-Z0D-V10	FLANGE, P.T.O.			001	0	0
27	95701-08045-00	BOLT, FLANGE, 8X45			004	0	0

GX100RT

E-7 CRANKSHAFT

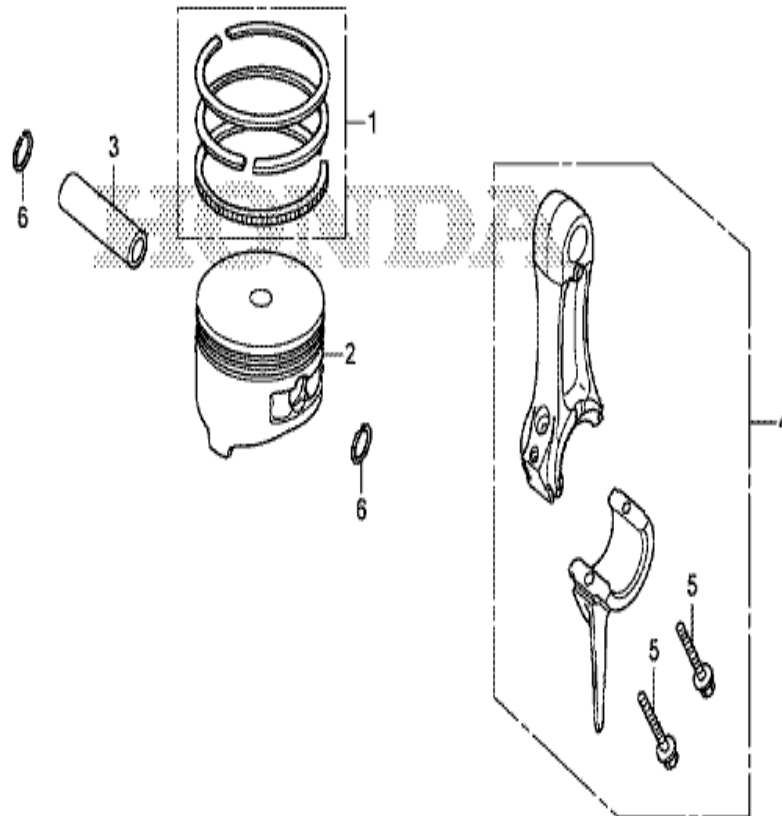


ZD00E07006

Refnr	Part Number	Description	From	To	Unit Qty	Order Qty	Repair Qty
5	13310-Z0D-V00	CRANKSHAFT COMP.			001	0	0
6	91001-Z0D-V01	BEARING, RADIAL BALL, 6204C			001	0	0

GX100RT

E-8 PISTON/CONNECTING ROD

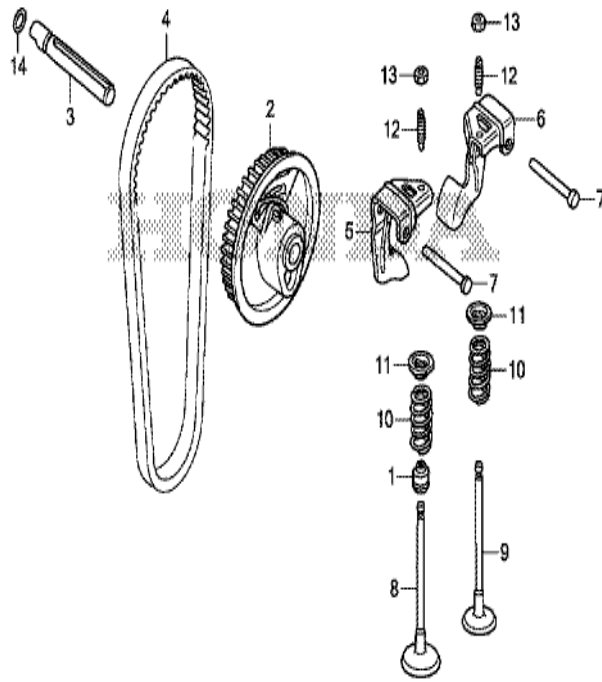


FR. →

ZDDDE0800

Refnr	Part Number	Description	from	to	Unit Qty	Order Qty	Repair Qty
1	13010-Z0D-003	RING SET, PISTON			001	0	0
2	13101-Z0D-000	PISTON		1142880	001	0	0
2	13101-ZDD-000	PISTON	1142881		001	0	0
3	13111-ZE0-000	PIN, PISTON			001	0	0
4	13200-Z0D-000	ROD ASSY., CONNECTING			001	0	0
4	13200-Z0D-305	ROD ASSY., CONNECTING (UNDER SIZE)			(1)	0	0
5	90001-ZM7-000	BOLT, CONNECTING ROD			002	0	0
6	90551-ZE0-000	CLIP, PISTON PIN, 13MM			002	0	0

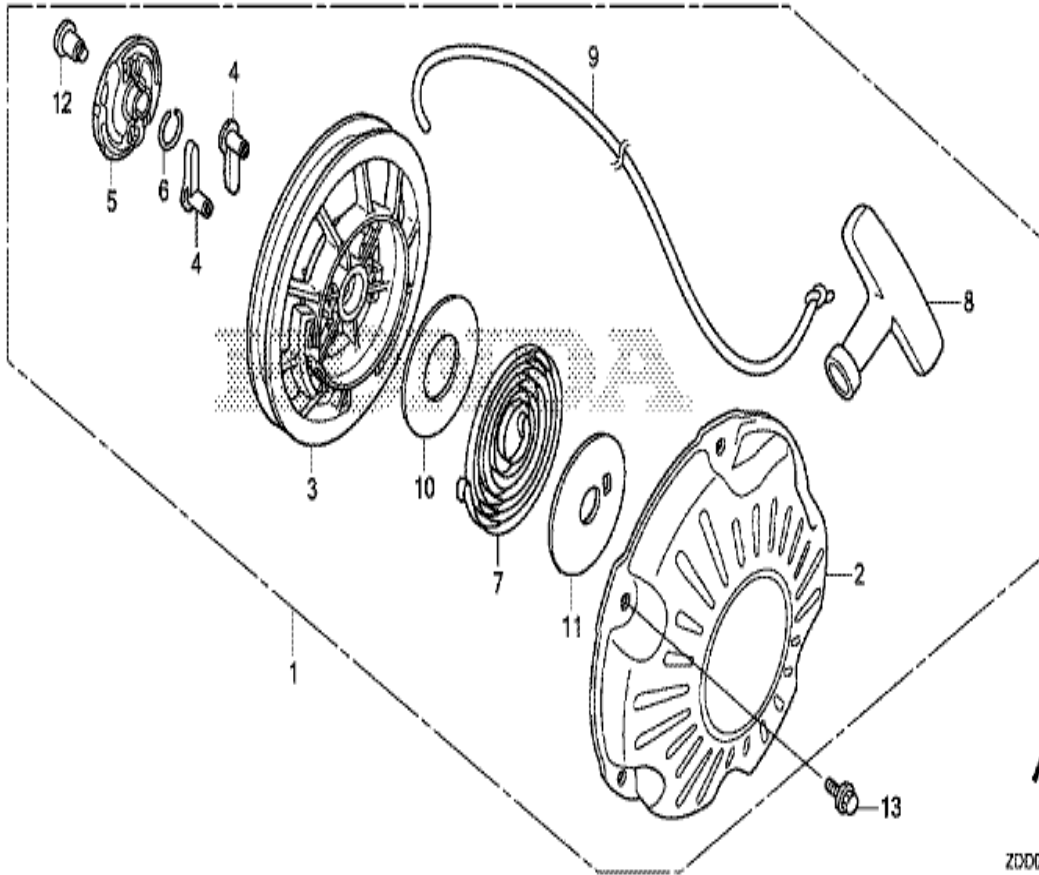
GX100RT
E-9 CAMSHAFT PULLEY



Refnr	Part Number	Description	from	to	Unit Qty	Order Qty	Repair Qty
1	12209-KT7-013	SEAL, VALVE STEM			001	0	0
2	14320-ZDD-000	PULLEY COMP., CAMSHAFT			001	0	0
3	14324-ZOD-000	SHAFT, CAM PULLEY			001	0	0
4	14400-ZOD-003	BELT, TIMING (61YU7 G-200)			001	0	0
5	14431-ZDD-000	ARM, IN. VALVE ROCKER			001	0	0
6	14441-ZDD-000	ARM, EX. VALVE ROCKER			001	0	0
7	14461-ZL8-000	SHAFT, ROCKER ARM			002	0	0
8	14711-ZOD-000	VALVE, IN.			001	0	0
9	14721-ZOD-000	VALVE, EX.			001	0	0
10	14751-ZOD-000	SPRING, VALVE			002	0	0
11	14771-ZDF-000	RETAINER, VALVE SPRING			002	0	0
12	90012-333-000	SCREW, TAPPET ADJUSTING			002	0	0
13	90206-001-000	NUT, TAPPET ADJUSTING			002	0	0
14	91301-ZM0-V31	O-RING, 6.8X1.9 (ARAI)			001	0	0

GX100RT

E-11-1 RECOIL STARTER (2)

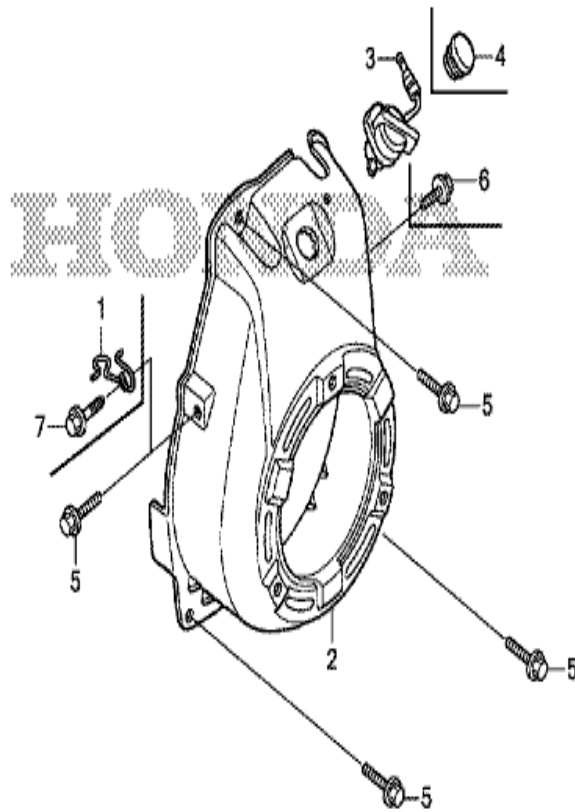


ZDD0E1101

Refnr	Part Number	Description	from	to	Unit Qty	Order Qty	Repair Qty
1	28400-Z0D-V04ZC	STARTER ASSY., RECOIL *R280* (R280 POWER RED)			001	0	0
2	28410-Z0D-V02ZC	CASE COMP., RECOIL STARTER *R280 * (R280 POWER RED)			001	0	0
3	28421-Z0D-V02	REEL, RECOIL STARTER		1011611	001	0	0
3	28421-ZDD-003	REEL, RECOIL STARTER (BLACK)	1011612		001	0	0
4	28422-ZG0-W02	RATCHET, STARTER			002	0	0
5	28433-ZG0-W02	GUIDE, RATCHET			001	0	0
6	28441-ZW6-003	SPRING, FRICTION			001	0	0
7	28442-ZH8-003	SPRING, RECOIL STARTER			001	0	0
8	28461-ZDD-003	KNOB, RECOIL STARTER	1011612		001	0	0
8	28461-ZH8-013	KNOB, RECOIL STARTER		1011611	001	0	0
9	28462-Z0D-V03	ROPE, RECOIL STARTER			001	0	0
10	28467-Z0D-V02	PLATE, SIDE			001	0	0
11	28468-Z0D-V02	PLATE, SLIDE			001	0	0
12	90003-ZH8-003	SCREW, SETTING			001	0	0
13	95701-06008-00	BOLT, FLANGE, 6X8			003	0	0

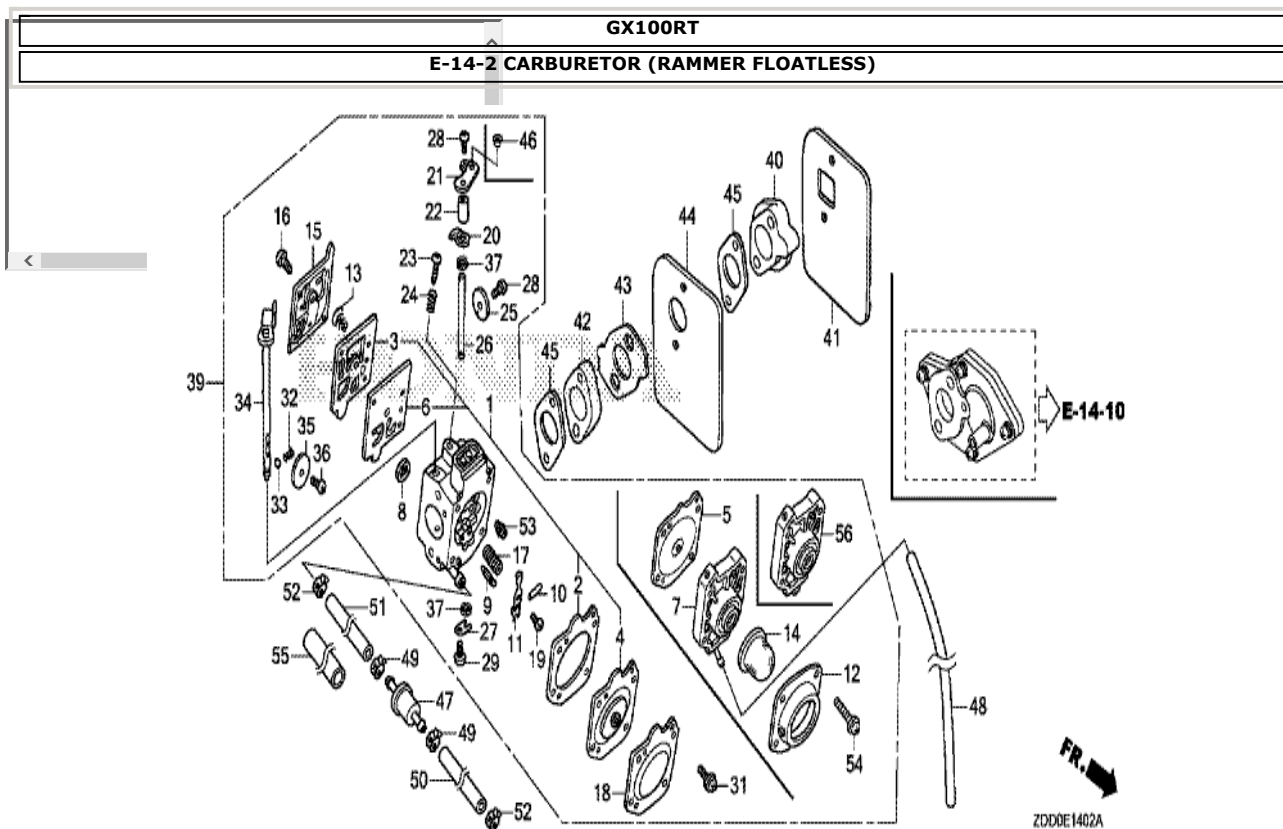
GX100RT

E-12 FAN COVER



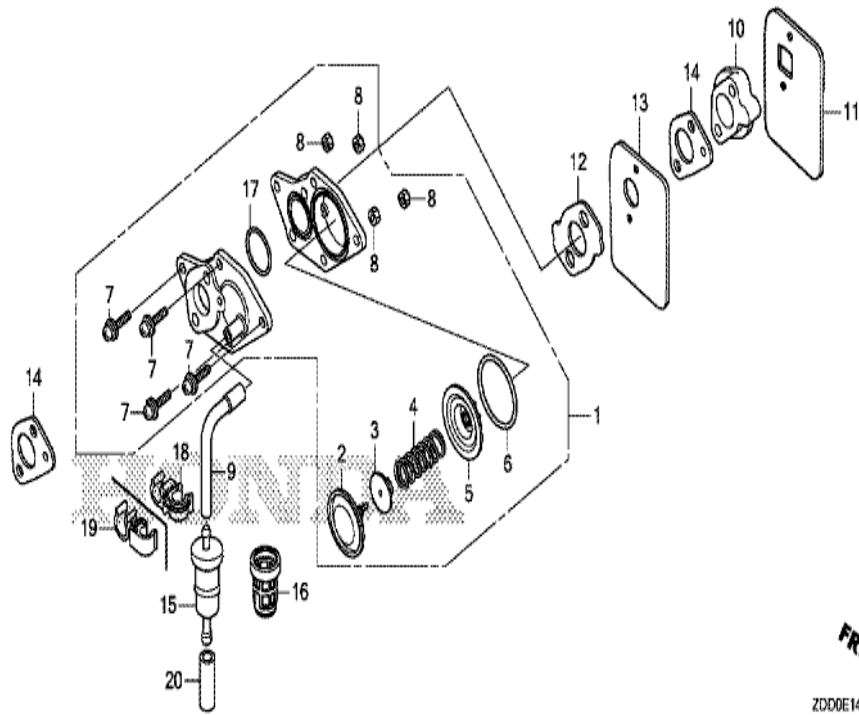
FR. →
Z000E1200

Refnr	Part Number	Description	from	to	Unit Qty	Order Qty	Repair Qty
1	16191-Z4E-800	STAY, WIRE			001	0	0
2	19610-Z0D-V00ZC	COVER COMP., FAN *R280 * (R280 POWER RED)			001	0	0
3	35120-Z0D-V81	SWITCH ASSY., ENGINE STOP			001	0	0
5	90014-952-000	BOLT, FLANGE, 6X14 (CT200)			003	0	0
7	90018-ZE1-000	BOLT, FLANGE, 6X23 (CT200)			001	0	0

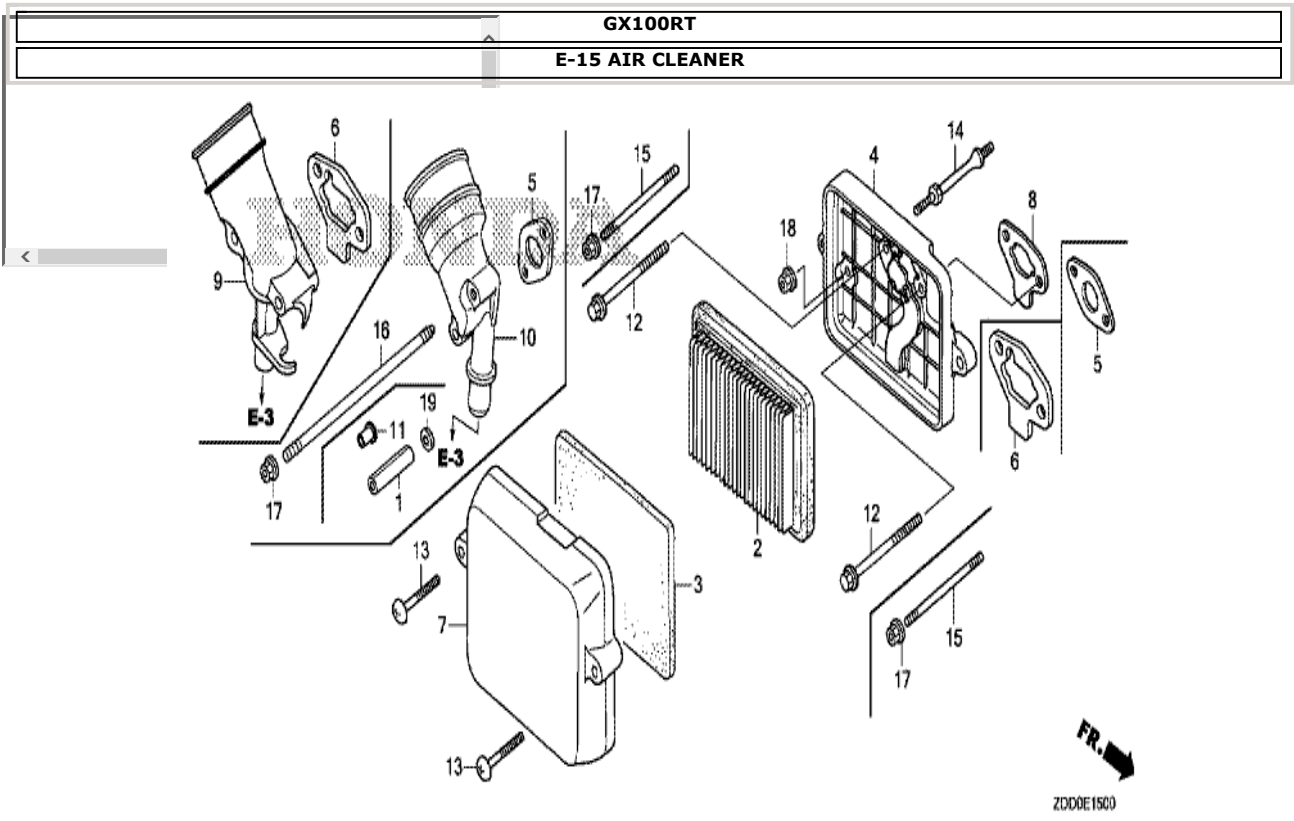


Refnr	Part Number	Description	from	to	Unit Qty	Order Qty	Repair Qty
1	06116-Z4E-800	DIAPHRAGM KIT			(1)	0	0
2	16010-Z4E-802	GASKET, METERING DIAPHRAGM			001	0	0
3	16011-Z0D-V02	GASKET, PUMP			001	0	0
4	16013-Z4E-802	DIAPHRAGM ASSY., METERING			001	0	0
6	16014-Z0D-V02	DIAPHRAGM, PUMP			001	0	0
8	16018-ZM3-004	SCREEN, INLET			001	0	0
9	16019-ZM3-004	VALVE, INLET NEEDLE			001	0	0
10	16022-ZM3-014	PIN, METERING LEVER			001	0	0
11	16023-Z0D-V02	LEVER, METERING			001	0	0
13	16030-ZM3-004	SPRING, PUMP			001	0	0
15	16040-Z4E-802	COVER, PUMP			001	0	0
16	16041-Z0D-V02	SCREW			001	0	0
17	16042-Z0D-V02	SPRING			001	0	0
18	16043-Z4E-802	COVER, METERING DIAPHRAGM			001	0	0
19	16044-Z4E-802	SCREW			001	0	0
20	16045-Z0D-V02	STOPPER, THROTTLE LEVER			001	0	0
21	16046-Z0D-V73	LEVER, THROTTLE			001	0	0
22	16048-Z0D-V02	SPACER, THROTTLE LEVER			001	0	0
23	16049-Z4E-S12	SCREW, IDLE ADJUSTING			001	0	0
24	16050-Z0D-V02	SPRING			001	0	0
25	16051-Z0D-V02	VALVE, THROTTLE			001	0	0
26	16052-Z0D-V02	SHAFT, THROTTLE			001	0	0
27	16053-Z0D-V02	CLIP, THROTTLE SHAFT			001	0	0
28	16054-Z0D-V02	SCREW, VALVE			002	0	0
29	16055-Z0D-V02	SCREW ASSY.			001	0	0
31	16055-Z4E-802	SCREW ASSY.			004	0	0
32	16056-Z0D-V02	SPRING			001	0	0
33	16057-Z0D-V02	BALL			001	0	0
34	16058-Z0D-V72	SHAFT ASSY., CHOKE			001	0	0
35	16059-Z0D-V03	VALVE, CHOKE			001	0	0
36	16060-Z0D-V02	SCREW			001	0	0
37	16061-Z0D-V02	SEAL, DUST			002	0	0
39	16100-Z4E-804	CARBURETOR ASSY. (HDA 275B)			001	0	0
46	16552-896-650	COLLAR, LEVER			001	0	0
53	99101-Z0D-0520	JET (#52)			(1)	0	0
53	99101-Z0D-0540	JET (#54)			(1)	0	0
53	99101-Z4E-0560	JET (#56)			001	0	0
53	99101-Z4E-0580	JET (#58)			(1)	0	0

GX100RT
E-14-10 ACCELERATION PUMP



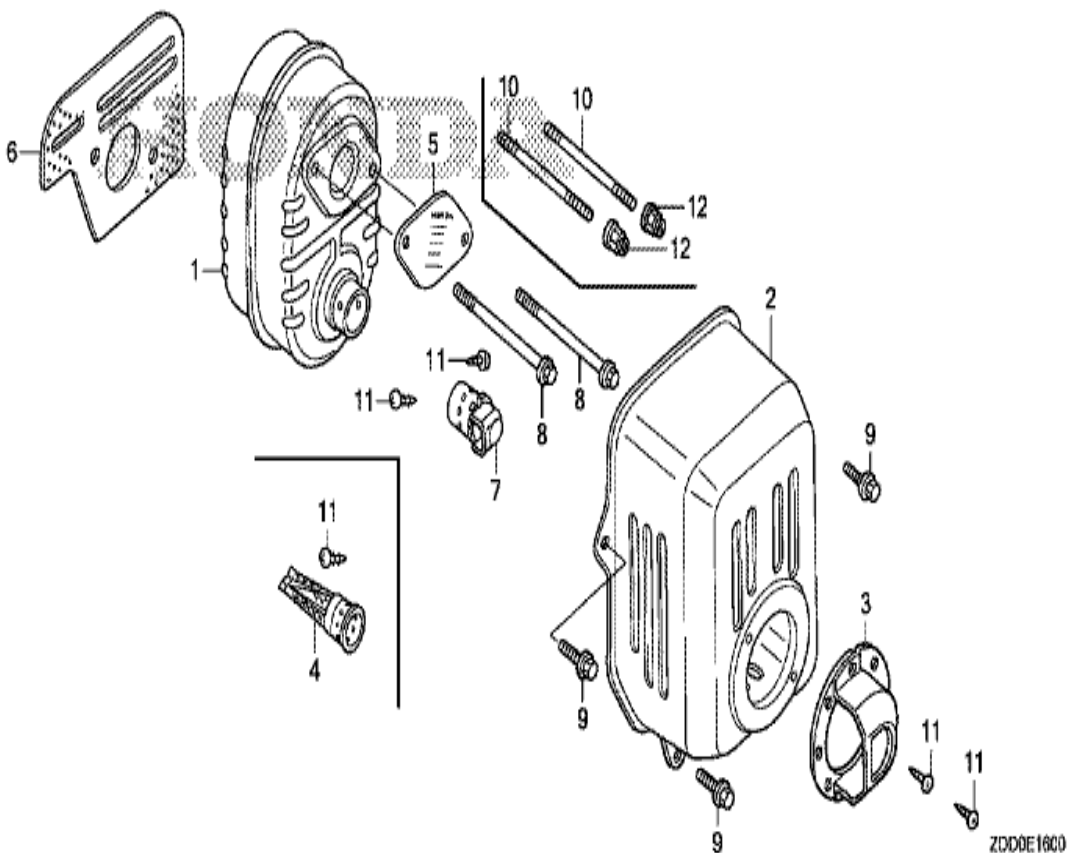
Refnr	Part Number	Description	from	to	Unit Qty	Order Qty	Repair Qty
1	16160-Z4E-803	PUMP ASSY., ACCELERATION			001	0	0
2	16161-Z4E-802	DIAPHRAGM, PUMP			001	0	0
3	16162-Z4E-802	RETAINER, DIAPHRAGM			001	0	0
4	16163-Z4E-802	SPRING			001	0	0
5	16164-Z4E-802	RETAINER, ACCELERATION PUMP			001	0	0
6	16165-Z4E-802	O-RING			001	0	0
7	16167-Z4E-802	SCREW ASSY.			004	0	0
8	16168-Z4E-802	NUT			004	0	0
9	16196-Z4E-800	TUBE, AIR VENT			001	0	0
10	16211-Z0D-V01	INSULATOR, CARBURETOR			001	0	0
11	16212-Z0D-V00	PACKING, INSULATOR			001	0	0
12	16214-Z0D-V01	PACKING B, INSULATOR			001	0	0
13	16215-Z0D-V00	PLATE, INSULATOR			001	0	0
14	16221-Z4E-800	PACKING, CARBURETOR			002	0	0
15	16910-ZG0-U02	STRAINER COMP., FUEL			001	0	0
16	16915-ZV4-000	SUSPENSION, STRAINER			001	0	0
17	91301-ZM7-D01	O-RING, 19.5X1.5			001	0	0
19	91405-Z4E-811	CLIP, TUBE			001	0	0
20	95005-70035-30	TUBE, 7X35 (95005-70001-30M)			001	0	0



Refnr	Part Number	Description	from	to	Unit Qty	Order Qty	Repair Qty
2	17211-ZL8-023	ELEMENT, AIR CLEANER (TOYO ROKI)			001	0	0
3	17218-Z0D-000	FILTER, OUTER			001	0	0
4	17220-Z0D-V01	CASE COMP., AIR CLEANER		1107445	001	0	0
4	17220-Z0D-V02	CASE COMP., AIR CLEANER	1107446		001	0	0
5	17228-Z0D-V01	PACKING, AIR CLEANER			001	0	0
7	17231-Z0D-010	COVER, AIR CLEANER			001	0	0
13	90011-Z0D-000	BOLT, AIR CLEANER COVER			002	0	0
14	90041-Z4E-800	BOLT, STUD			001	0	0
15	90042-Z4E-800	BOLT, STUD, 5X88 (CT200)			002	0	0
17	94050-05000	NUT, FLANGE, 5MM			002	0	0
18	94050-06000	NUT, FLANGE, 6MM			001	0	0

GX100RT

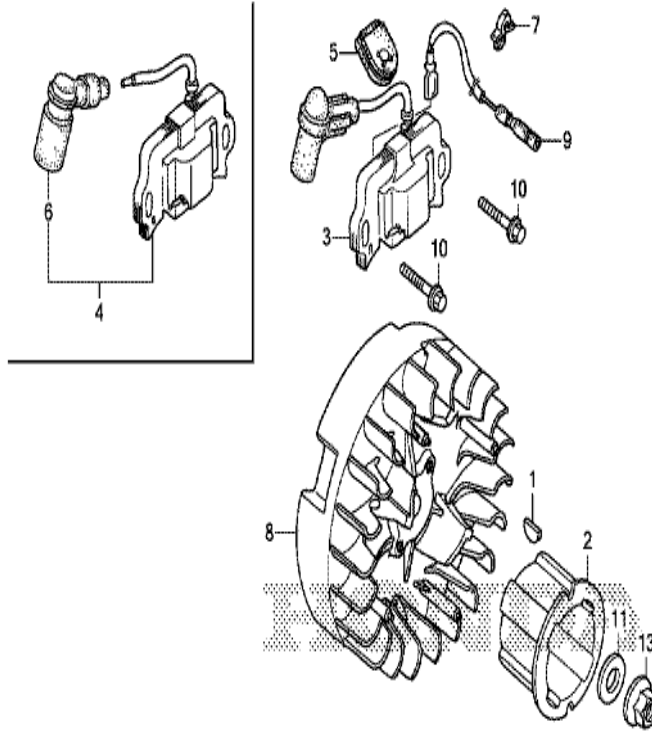
E-16 MUFFLER



Refnr	Part Number	Description	from	to	Unit Qty	Order Qty	Repair Qty
1	18310-Z0D-V00	MUFFLER COMP.			001	0	0
2	18321-Z0D-V02	PROTECTOR, MUFFLER			001	0	0
4	18350-ZL8-000	ARRESTER COMP., SPARK			(1)	0	0
6	18381-Z0D-000	GASKET, MUFFLER			001	0	0
9	90014-952-000	BOLT, FLANGE, 6X14 (CT200)			003	0	0
10	90048-Z0D-V00	BOLT, STUD, 6X78 (CT200)			002	0	0
11	90055-ZE1-000	SCREW, TAPPING, 4X6			(1)	0	0
12	90343-ZE6-000	NUT, SELF-LOCK, 6MM			002	0	0

GX100RT

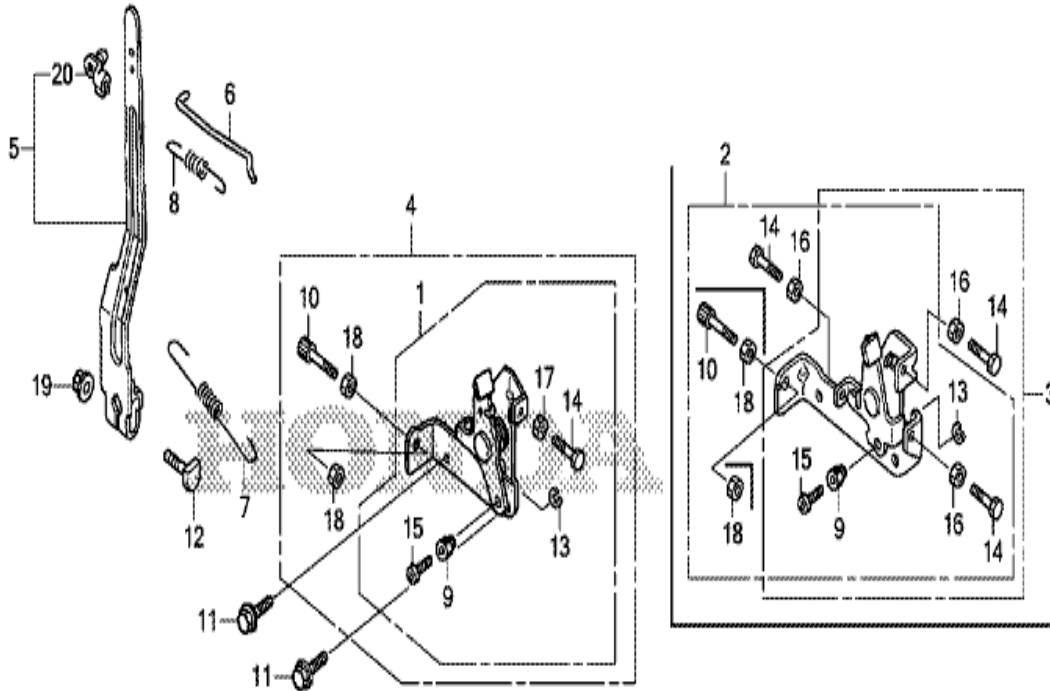
E-19 FLYWHEEL/IGNITION COIL



Refnr	Part Number	Description	from	to	Unit Qty	Order Qty	Repair Qty
1	13331-ZM7-000	KEY, SPECIAL			001	0	0
2	28451-Z0D-V03	PULLEY, STARTER			001	0	0
4	30500-Z0D-V02	COIL ASSY., IGNITION			001	0	0
5	30564-ZA5-000	GROMMET, CORD			001	0	0
6	30700-Z0D-V01	TERMINAL ASSY., HIGH TENSION			001	0	0
7	30701-883-000	CLIP, HIGH TENSION CORD (8MM)			001	0	0
8	31110-Z0D-003	FLYWHEEL COMP.			001	0	0
9	32195-Z0D-000	CORD, STOP SWITCH			001	0	0
10	90022-888-010	BOLT, FLANGE, 6X20 (CT200)			002	0	0
13	94050-12000	NUT, FLANGE, 12MM			001	0	0

GX100RT

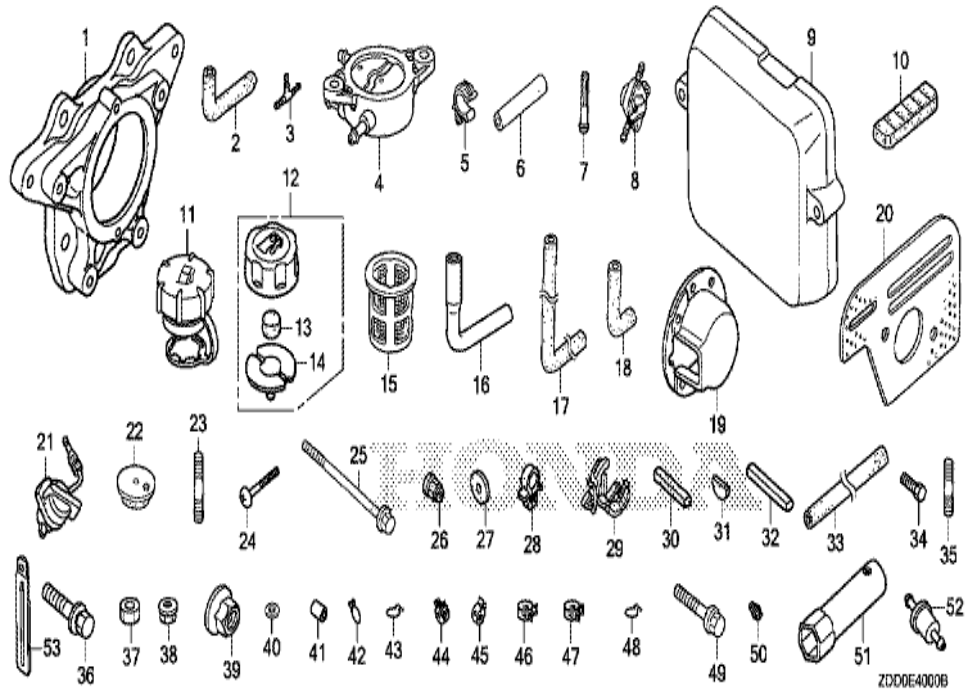
E-22-1 CONTROL (2)



ZDD0E2201

Refnr	Part Number	Description	from	to	Unit Qty	Order Qty	Repair Qty
2	16500-Z4E-V10	CONTROL ASSY.			001	0	0
5	16550-Z0D-V01	ARM COMP., GOVERNOR			001	0	0
6	16555-Z0D-V00	ROD, GOVERNOR			001	0	0
7	16561-Z0D-V00	SPRING, GOVERNOR			001	0	0
8	16562-Z4E-S10	SPRING, THROTTLE RETURN			001	0	0
9	16594-883-010	HOLDER, WIRE			001	0	0
10	54717-ZG0-S00	BOLT, CABLE ADJUSTING (6X34)			001	0	0
11	90014-952-000	BOLT, FLANGE, 6X14 (CT200)			002	0	0
12	90015-Z5T-000	BOLT, GOVERNOR ARM			001	0	0
13	90605-230-000	CIRCLIP, 5MM			001	0	0
14	92301-05020-0A	BOLT, RECESSED, 5X20			002	0	0
15	93500-04006-0H	SCREW, PAN, 4X6			001	0	0
16	94001-05000	NUT, HEX., 5MM			002	0	0
18	94002-06000-0S	NUT, HEX., 6MM			002	0	0
19	94050-06000	NUT, FLANGE, 6MM			001	0	0
20	16263-883-W10	JOINT, ROD			001	0	0

GX100RT
E-40 OTHER PARTS (1)



Refnr	Part Number	Description	from	to	Unit Qty	Order Qty	Repair Qty
33	91434-Z4E-912	HOSE, FUEL, 4.2X400 (FKM)			001	0	0
45	95002-40850-08	CLAMP, TUBE (D8.5)			002	0	0